

# Standard HB Series Convection Heaters



Rev 5/23

## Features:

- Adjustable thermostat
- 100cfm fan (factory lubricated)
- Quiet operation
- Freeze Protection
- Durability & long life
- Fast and easy installation and maintenance
- Factory coated beige finish
- 6' power cord and plug

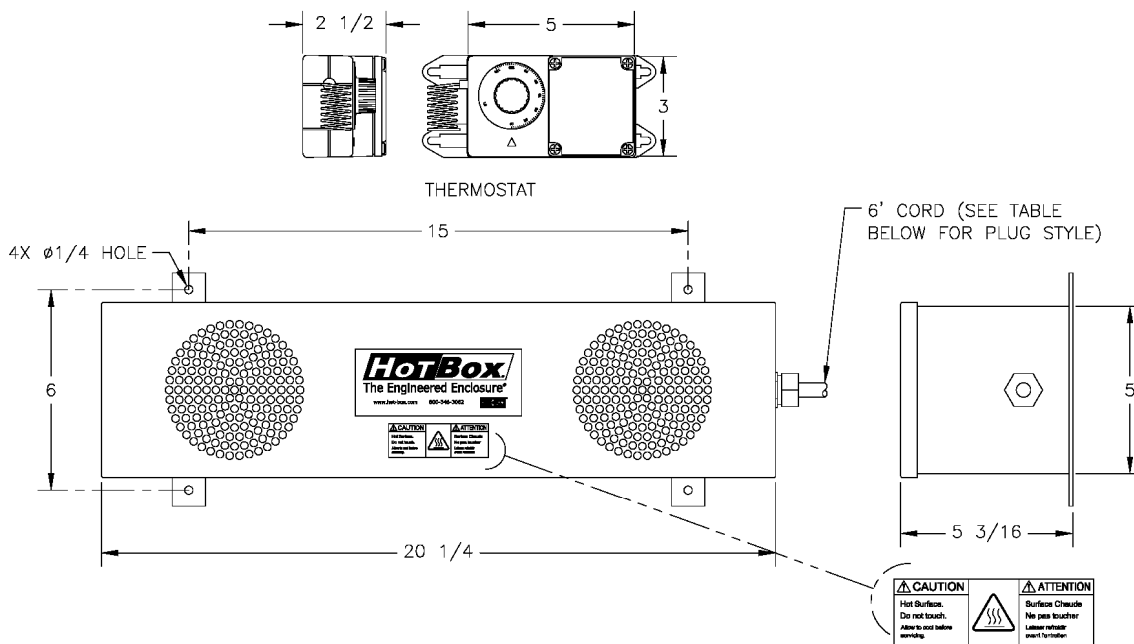
## Standards:

ETL listed (tested for wet/damp locations)

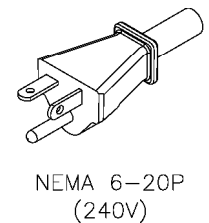
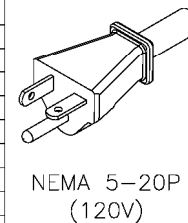
Thermostatically controlled to maintain an interior temperature of 40°F (4.4°C) and protect equipment from external temperatures as low as -30°F (-34.4°C) in accordance with ASSE 1060 1.2.2.1.

Dielectric Voltage Withstand Test (Section 44.0 of the UL 499 Standard & Section 6.4 of the CAN/CSA C22.2, No. 88 standard).

Grounding Continuity Test (Section 45.1 of the UL 499 Standard & Section 6.5 of the CAN/CSA C22.2, No. 88 standard).



MODEL	WATTAGE	VOLTAGE	PHASE	BTU/hr	WEIGHT lb.	RECOMMENDED CIRCUITS	PLUG
ACI1000-120	1000	120	1	3412	12	20 AMP	NEMA 5-20P
ACI1500-120	1500	120	1	5118	12	20 AMP	NEMA 5-20P
ACI2000-120	1900	120	1	6824	12	20 AMP	NEMA 5-20P
ACI1000-208/240	867/1000	208-240	1	2957/3412	12	20 AMP	NEMA 6-20P
ACI1500-208/240	1300/1500	208-240	1	4436/5118	12	20 AMP	NEMA 6-20P
ACI2000-208/240	1733/2000	208-240	1	5914/6824	12	20 AMP	NEMA 6-20P
ACI1000R-120	1000	120	1	3412	12	20 AMP	NEMA 5-20P
ACI1500R-120	1500	120	1	5118	12	20 AMP	NEMA 5-20P
ACI2000R-120	1900	120	1	6824	12	20 AMP	NEMA 5-20P



Contractors other than Hot Box are responsible for the installation of the G.F.I. protected service and receptacles. We recommend that each heater be on separate 20 amp circuits so in the event a circuit fails, all other circuits will remain powered. We recommend that all installations be in accordance with the local and national codes.

Hot Box  
3621 Industrial Park Drive  
Lenoir City, TN37771

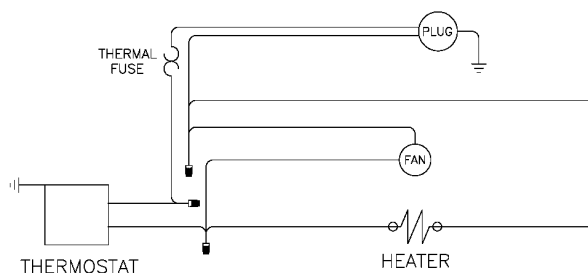
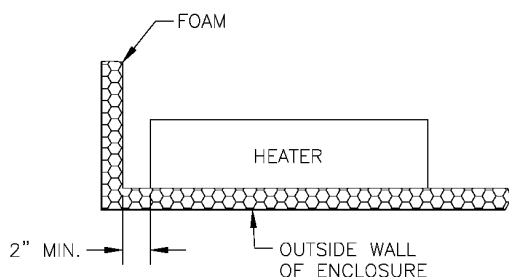
Contact Information  
Phone: (800) 346-3062  
waterhlc@hubbell.com  
www.hot-box.com

## **Installation:**

Contractors other than Hot Box are responsible for the installation of the G.F.I. protected service and receptacles, ref. UL 943, NEMA 3R. When multiple heaters are required it is recommended that each heater be on a separate 20 amp circuit so if a circuit fails, all other circuits will remain powered. All installations to be in accordance with local and national codes.

Locate the aluminum heater plate(s) inside the enclosure and hang the heater(s) on the provided hangers. Plug the heater into the ground fault circuit protected outlet.

Note: The heater assembly may be installed on any vertical wall no closer than 2 inches from the adjacent box wall or seam.



## **Maintenance:**

Perform the following maintenance prior to installation and at least once per season, preferably before energizing the system each fall or immediately after any work has taken place on the piping system.

Check to be sure heater power cord is free from mechanical or thermal damage (cuts or nicks in the cable insulation from utility knife, use of metal clamps, solder or overheating)

To test heaters with adjustable thermostats, the thermostat should be turned clockwise until the heater activates and then reset to the minimum setting by turning the knob counter-clockwise, after testing is completed.

To test heaters with the older pre-set thermostats, spray CO2 on the thermostat bulb to simulate cold temperature until the heater activates.

Vacuum occasionally using standard vacuum attachments.

**Warning!** A ground fault circuit interrupting device shall be installed in the electrical supply circuit to this heater. Failure to do so may result in injury or death. The interior of the enclosure can be a damp location.

**Warning!** Hazard of severe shock, disconnect all power before servicing.

**Warning!** Do not block air flow in any way.

**Warning!** Avoid contact. The heater surface is HOT.

For replacement heaters please contact your local Hot Box Representative.

Hot Box  
3621 Industrial Park Drive  
Lenoir City, TN37771

Contact Information  
Phone: (800) 346-3062  
waterhlc@hubbell.com  
www.hot-box.com